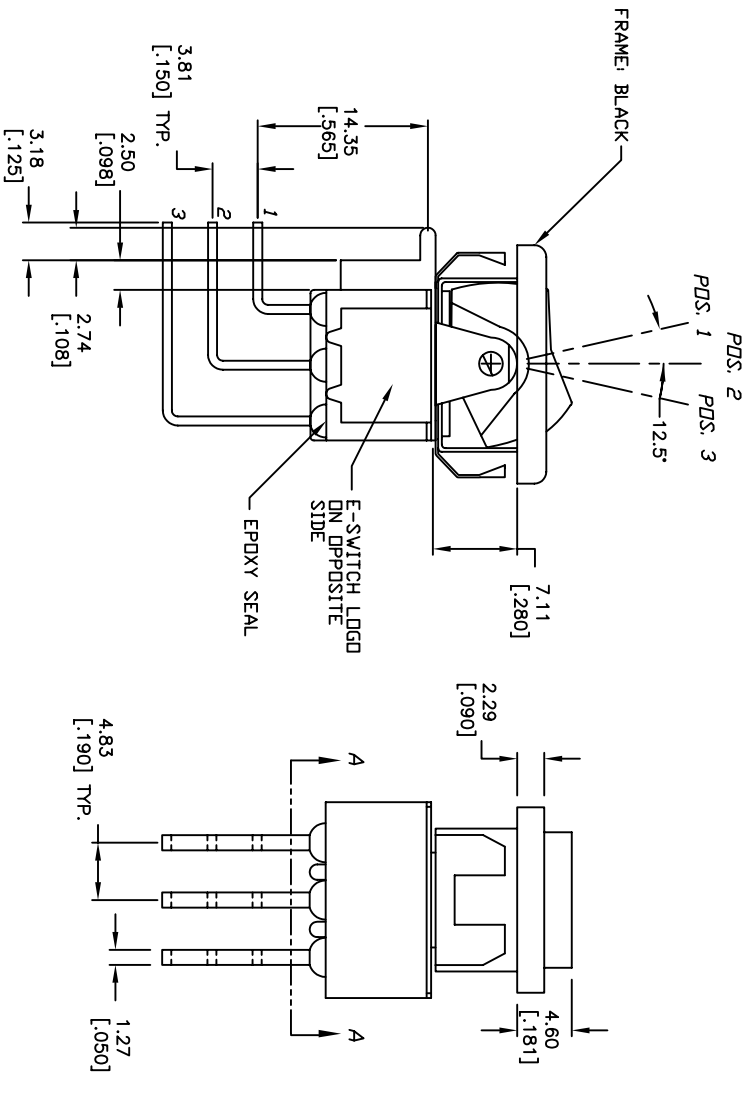
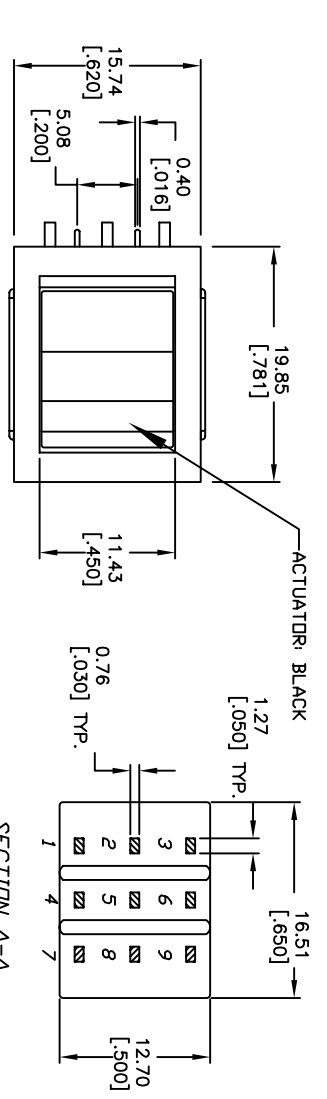


SWITCH FUNCTION		
POS. 1	POS. 2	POS. 3
DN	NONE	DN
2-3,5-6	OPEN	2-1, 5-4
8-9		8,7

**NOTES:**

1. ALL DIMENSIONS IN MM [INCH]
2. GENERAL TOLERANCE: X.XX=±0.4 X.XX=±0.25
3. TERM. NOS. FOR REF. ONLY
4. RATING: 5A @120VAC or 28VDC; 2A @250VAC.
5. CONTACT MATERIAL: Copper Alloy w/Silver Plating.
6. ELECTRICAL LIFE: 40,000 make-and-break cycles at full load.
7. INSULATION RESISTANCE: 1,000M ohm min.
8. DIELECTRIC STRENGTH: 1,000 V RMS @sea level.
9. OPERATING TEMP.: -30°C to 85°C
10. 2002/95/EC (ROHS) COMPLIANT



REV.	ECN NO.	DESCRIPTION	DATE	CHKD
B	16879	ADD BLK LABEL, TITLE	1/17/2007	TN
A	14464	RELEASED FOR PRODUCTION	11/5/04	AR

THE INFORMATION CONTAINED IN THIS DOCUMENT IS PROPRIETARY TO E-SWITCH AND IS NOT TO BE COPIED OR TRANSFERRED

TITLE	SCALE	DATE	DR	DWG	REV
3003P1R6BLKM7QEBLK	1.5:1	1/17/2007	TN	T331028	B

**E-SWITCH®**